

ANDREW YULE & CO. LTD.
(A Government of India Enterprise)
MIM TEA ESTATE
P.O. - Sukhiapokhri, Dist.- Darjeeling, West Bengal – 734221

NOTICE INVITING TENDERS

Mim Tea Estate on behalf of ANDREW YULE & CO. LTD invites e-Tender under two part system(**Part I: Techno-Commercial Bid and Part II: Price Bid**) from bona fide and reputed **Company/Firm** for Repair /dismantling /replacement of internal electric wiring, light fittings and other related works at Manager's Bungalow in Mim Tea Estate ,Darjeeling ,West Bengal,**complete in all respect**, the details of which are available in Annexure-IV "**Scope of Work / Technical Specification**"as specified in this tender document.

Tender document may be downloaded from MSTC website www.mstcecommerce.com/eprochome/aycl or www.andrewyule.com. Corrigenda or clarifications, if any, shall be hosted on the above mentioned websites only.
 AYCL reserves the right to accept or reject any tender.

Schedule of Tender

1.	TENDER NO.	MIM/REVENUE/19-20/1 Dated. : 04/02/2020
2.	MODE OF TENDER	e-Procurement System Online submission of Part I - Techno-Commercial Bid and Part II - Price Bid through www.mstcecommerce.com/eprochome/aycl The intending bidders are required to submit their offer electronically through this e-tendering portal. No physical tender is acceptable by AYCL/MSTC
3.	E-Tender No. / Event No.	AYCL/TEA DIVISION/36/19-20/ET/260
4.	Date of publication of e-Tender through publication MSTC/AYCL websites and Central Public Procurement Portal	04/02/2020
5.	Date of availability of NIT to the Vendors for downloading	04/02/2020
6.	Earnest Money and other document	<input type="checkbox"/> "Earnest Money Deposit" of Rs.3000.00 (Rupees three thousand only) may be paid by D.D. favouring Andrew Yule &Co Ltd., A/c Mim Tea Estate , payable at Darjeeling. <input type="checkbox"/> Other document as described in Annexure – I, Sl. No. 2

7.	Last date of submission of EMD & other documents to Manager, Mim Tea Estate with an email confirmation to General Manager, Tea Division at chandan.bora@andrewyule.com	19/02/2020
8.	Date of Starting of e-Tender for submission of Online Techno-Commercial Bid and Price Bid at www.mstcecommerce.com/eprochome/aycl	To be intimated to the eligible vendor separately by email as well as through Corrigendum in the website.
9.	Date of closing of Online e-tender for submission of Techno-Commercial Bid & Price Bid at www.mstcecommerce.com/eprochome/aycl	To be intimated to the eligible vendor separately by email as well as through Corrigendum in the website.
10.	Date & time of opening of Part-I (Techno-Commercial Bid)	To be intimated to the eligible vendor separately by email as well as through Corrigendum in the website.
11.	Date & time of opening of Part-II (Price Bid)	To be intimated to the eligible vendor separately by email as well as through Corrigendum in the website.

List of Annexure

Important Instructions for E-procurement -	Annexure-I
Notice Inviting Tender	Annexure-II
General Information-	Annexure-III
Scope of Work/Technical Specification/General Terms& Conditions /Drawing	Annexure-IV
Price Bid Sheet	Annexure-V

Annexure-I

MIM TEA ESTATE
Andrew Yule and Company Ltd
(A Government of India Enterprise)
P.O.Sukhiapokhri,Dist –Darjeeling
West Bengal,PIN-734221

Important Instructions for E-procurement

Ref. E-Tender No.: AYCL/TEA DIVISION/36/19-20/ET/260

Ref. Tender No.: MIM/REVENUE/19-20/1

This is an e-procurement event of Mim Tea Estate, Sukhiapokhri, Darjeeling, West Bengal of *ANDREW YULE & COMPANY LTD.*

You are requested to read the **Terms & Conditions** (Annexure- III,IV) of this tender before submitting your online tender. Tenderers who do not comply with the Conditions with documentary proof (wherever required) will not qualify in the Tender for opening of Price Bid.

1. Process of E-tender:

A) **Registration:**The process involves vendor's registration with MSTC e-procurement portal which is free of cost. Only after registration, the vendor(s) can submit his/their bids electronically. Electronic Bidding for submission of Techno-Commercial Bid as well as Price Bid over the internet will be done. The Vendor should possess Class III signing type Digital Signature Certificate. Vendors are to make their own arrangement for bidding from a PC connected with Internet. MSTC is not responsible for making such arrangement. (Bids will not be recorded without Digital Signature).

SPECIAL NOTE: THE PRICE BID AND THE COMMERCIAL BID HAS TO BE SUBMITTED ONLINE AT www.mstcecommerce.com/eprochome/aycl

- 1) **Vendors are required to register themselves online with www.mstcecommerce.com → e-Procurement → PSU / Govt. depts. → Register as Vendor under AYCL- Filling up details and creating own user id and password → Submit.**
- 2) **Vendors will receive a system generated mail confirming their registration in their email which has been provided during filling the registration form.**

In case of any clarification, please contact MSTC/AYCL (before the scheduled time of the e-Tender).

Contact person for Techno Commercial clarification(ANDREW YULE & COMPANY LTD):

1. **Mr. Rupankar Goswami,**
SeniorManager,
Mim Tea Estate, Sukhiapokhri,Darjeeling.
Mobile No: 08473816137.
Email: yule.mim@gmail.com

Contact person (E-Commerce, MSTC Ltd):

1. Mr. Pritam Biswas,
Assistant Manager (ERO),
Mobile No: 9903248755,
Email: pbiswas@mstcindia.co.in

2) Mr. Mayank Jain,
Assistant Manager (ERO),
Mobile- 9721277969
Email: mhjain@mstcindia.co.in

3. Mr. Vikash Kumar Jaiswal
Regional Manager (ERO),
Mobile- 9903042449
Email: vikash@mstcindia.co.in

Landline: (033) 22901004

System Requirement:

- i) Windows XP-SP3 or above / Windows 7 Operating System
- ii) IE-7 or above Internet browser.
- iii) Signing & Encryption type digital signature
- iv) JRE 7 update 79 software to be downloaded and installed in the system. Security level should be medium
- v) To enable ALL active X controls and disable 'use pop up blocker' under Tools → Internet Options → custom level (Please run IE settings from the page www.mstcecommerce.com once)

2. **Part-I: Submission of EMD & other Documents:**

Within specified Date & time the vendor must submit the following documents to Senior Manager , Mim Tea Estate, P.O.Sukhiapokhri, Dist – Darjeeling, West Bengal, 734221, Off-line.

- Earnest Money of Rs.3000.00 (Rupees Three thousand only) by Demand Draft favouring Andrew Yule & Co. Ltd., A/C Mim Tea Estate, Payable at Darjeeling.
- General information, under Annexure-III complete in all respect along with desired information and document.
- Acceptance of Scope of Work/Technical Specification/Drawing, under Annexure-IV alongwith relevant information and documents without Price Sheet.
- Technical specification sheet& Drawing, with all desired details, duly signed and stamped as token of acceptance.
- Intending Bidders may visit the site before submission of the Off-line documents at their own cost.

In case of failure to submit the EMD and other document within the stipulated time, the Tender may be rejected.

Part-II: Online Bid submission: On the basis of submission of EMD and other Documents at Mim Tea Estate, Darjeeling, West Bengal, the list of vendors who will participate in online Techno commercial and price bid submission will be finalized. Only those qualified bidders will be eligible to submit Online Techno-commercial and price bid.

Bidding in e-Tender:

- a. No interest will be paid on EMD. EMD of the unsuccessful bidder(s) will be refunded by Mim Tea Estate. EMD to be paid along with the Document within the last date as mentioned in SOT.
- b. The process involves Electronic Bidding for submission of Techno Commercial Bid as well as Price Bid.
- c. The bidder(s) who have submitted the EMD and documents to Mim Tea Estate will be short listed by Senior Manager, Mim Tea Estate and those qualified bidders can only submit their Techno Commercial Bids and Price Bid through internet in MSTC website www.mstcecommerce.com → e-procurement → PSU / Govt depts. → Login under AYCL → My Menu → Auction Floor Manager → live event → Selection of the live event.
- d. The bidder should allow to run an application namely enApple by accepting the risk and clicking on run. This exercise has to be done twice immediately after opening of Bid floor. Then they have to fill up Common terms / Commercial specification and save the same. After that clicking on the Techno-Commercial bid, if this application is not run then the bidder will not be able to save / submit his Techno-Commercial bid.
- e. After filling the Techno-Commercial Bid, bidder should click 'save' for recording their Techno-Commercial bid. Once the same is done, the Price Bid link becomes active and the same has to be filled up and then bidder should click on "**Save**" to record their Price Bid. Then once both the Techno-Commercial bid & Price Bid has been saved, the bidder can click on the "**Submit**" button to register their bid.
- f. Vendors are instructed to use link in **My Menu** to **Upload Documents** in document library. Multiple documents can be uploaded. Maximum size of single document for upload is 5 MB.
- g. Once documents are uploaded in the library, vendors can attach documents through *Attach Document* link against the particular tender. For further assistance please follow instructions of vendor guide.
- h. In all cases, bidder should use their own ID and Password along with Digital Signature at the time of submission of their bid.
- g. During the entire e-tender process, the bidders will remain completely anonymous to one another and also to everybody else.

- h. The e-tender floor shall remain open from the pre-announced date & time and for as much duration as mentioned above.
- i. Techno-Commercial bid will be opened electronically on specified date and time as given in the NIT. Bidder(s) can download Technical Comparative statement.
- j. Price bid will be opened electronically on specified date and time given in the NIT. Bidder(s) can download Price Comparative statement.
- k. All entries in the tender should be entered in online Technical & Commercial Formats without any ambiguity.
- l. All electronic bids submitted during the e-tender process shall be legally binding on the bidder. Any bid will be considered as the valid bid offered by that bidder and acceptance of the same by the Buyer will form a binding contract between Buyer and the Bidder for execution of supply. Such successful tenderer shall be called hereafter **SUPPLIER**.
- m. It is mandatory that all the bids are submitted with Digital Signature Certificate otherwise the same will not be accepted by the system.
- n. Buyer reserves the right to cancel or reject or accept or withdraw or extend the tender in full or part as the case may be without assigning any reason thereof.
- o. No deviation of the terms and conditions of the tender document is acceptable. Submission of bid in the e-tender floor by any bidder confirms his acceptance of terms & conditions for the tender.
- p. Unit of Measure (UOM) is indicated in the e-tender Floor. Rate to be quoted should be in Indian Rupee as per UOM indicated in the e-tender floor/tender document.

E-tender cannot be accessed after the due date and time mentioned in NIT.

All notices / corrigendum and correspondence to the bidder(s) shall be sent by email only during the process till finalization of tender by MIM TEA ESTATE/ANDREW YULE & COMPANY LTD/MSTC LTD. Hence the bidders are required to ensure that their corporate email I.D. provided is valid and updated at the stage of registration of vendor with MSTC. Bidders are also requested to ensure validity of their DSC (Digital Signature Certificate).

Any order resulting from this open e-tender shall be governed by the terms and conditions mentioned therein.

No deviation to the technical and commercial terms & conditions are allowed.

ANDREW YULE & COMPANY LTD/ Mim Tea Estate has the right to cancel this e-Tender without assigning any reason thereof.

The online tender should be submitted strictly as per the terms and conditions and procedures laid down in the website www.mstcecommerce.com/eprochome/aycl of MSTC Ltd.

The bidders must upload all the documents required as per terms of NIT. Any other document uploaded which is not required as per the terms of the NIT shall not be considered.

The bid will be evaluated based on the filled-in technical & commercial formats.

Bidders are requested to read the vendor guide and see the video in the page www.mstcecommerce.com/eprochome/mstc of MSTC Ltd. to familiarize them with the system before bidding.

**MIM TEA ESTATE
Andrew Yule and Company Ltd
(A Government of India Enterprise)
P.O.Sukhiapokhri,Dist –Darjeeling
West Bengal ,PIN-734221**

Notice Inviting Tender

Ref. E-Tender No.: AYCL/TEA DIVISION/36/19-20/ET/260

Ref. Tender No.: MIM/REVENUE/19-20/1

Mim Tea Estate on behalf of Andrew Yule & Co. Ltd., Tea Division, wishes to undertake Repair /dismantling /replacement of internal electric wiring, light fittings and other related works at Manager's Bungalow in Mim Tea Estate ,Darjeeling ,West Bengal.

Offers are invited from reputed contractors for construction on turnkey basis at specified location.

Contractors interested to participate in the above Tender will have to :

- b) Get themselves registered (free of cost) as supplier with www.mstcecommerce.com/eprochome/aycl, our service provider.
- c) Submit the following document to Mim Tea Estate,Sukhiapokhri, Darjeeling, West Bengal within 15 days from the date of publication of advertisement, off line -
- General Information Sheet complete in all respect duly signed and stamped.
 - Earnest money of Rs.3000.00 by Drafftavouring Andrew Yule & Co. Ltd. A/C Mim Tea Estate payable at Darjeeling.
 - Commercial Terms & Conditions Sheet, duly signed and stamped as token of acceptance.
 - Technical specification sheet, with all desired details, duly signed and stamped as token of acceptance.

The following pre-qualification criteria would apply, which may be relaxed at the sole discretion of Andrew Yule & Co. Ltd. / Mim Tea Estate.

- The Bidder should be having minimum 3 years of installation of wiring experience and holding authority to deal with Andrew Yule & Co. Ltd. / Mim Tea Estate. This should be supported by appropriate documentary evidence. Preference will be given to them who has the experience in construction of Labour Quarter in Tea gardens for last 3 years.
- The Bidder shall possess valid PAN/ GST registration certificates.
- The Bidder should have own local support office presence for the locations namely Sukhiapokhri, / Siliguri and should be able to provide support as and when required.

For Off line submission

Annexure-III

MIM TEA ESTATE
Andrew Yule and Company Ltd
(A Government of India Enterprise)
P.O.Sukhiapokhri,Dist –Darjeeling
West Bengal ,PIN-734221

General Information

Ref. E-Tender No.: AYCL/TEA DIVISION/36/19-20/ET/260

Ref. Tender No.: MIM/REVENUE/19-20/1

The applicants are required to furnish full information to the queries included in this form. In giving the particulars, the supporting documents/certificates as called for per queries at places, must be tagged with the application for evidencing the information furnished in the application.

1. Particulars of Company

1.1 Name of the Company :

1.2 Nature of business :

1.3 Full address :

1.4 Phone No. :

1.5 Fax No. :

1.6 E-mail ID :

2. Details of Certificate

Sl No.	Particulars	Registration No.	Remarks
1.	Income Tax		Copy of Registration Certificate / PAN Card to be attached
2.	GST		Copy of Registration Certificate to be attached
3.	Trade Licence		Copy to be attached

3. List of Local Office

Sl. No	Location	Type of Local Office		Bidders to Provide full address & Telephone No
		Company Operated	Franchised	
1	Sukhiapokhri/Darjeeling			
2	Siliguri			

--	--	--	--	--

4. Details of Banker

1.	Name of the Bank	
2.	Name of the Branch	
3.	Branch Code	
4.	Address	
5.	IFSC No.	
6.	Account No.	

5. List of Job contract of identical nature made in last 3 years. with customer reference :

6. Copies of Job Orders : for identical type of Job contract (minimum 2 order copies) :

I/we hereby certify that the particulars furnished by me/us above are true to the best of my / our knowledge and belief and mis-representations of facts will render me/us liable to my/our action as may be deemed fit by Andrew Yule & Co. Ltd. (Tea Division) / Mim Tea Estate & have the sole discretion to reject or accept my/our candidature.

(Signature of the Applicant)
Office Stamp/Seal.

Place :

Date :

List of Enclosures :

MIM TEA ESTATE
Andrew Yule and Company Ltd
(A Government of India Enterprise)
P.O.Sukhiapokhri,Dist –Darjeeling
West Bengal ,PIN-734221

General Terms & Conditions

Ref. E-Tender No.: AYCL/TEA DIVISION/36/19-20/ET/260

Ref. Tender No.: MIM/REVENUE/19-20/1

1. Scope of Work
 - Repair /dismantling /replacement of internal electric wiring, light fittings and other related works at Manager's Bungalow in Mim Tea Estate, Darjeeling ,West Bengal complete in all respect.
2. Location of Site
 - Mim Tea Estate, P.O. – Sukhiapokhri, Dist. – Darjeeling, West Bengal.
3. Requirement

Dismantling of Old wiring and Re-Installation of new wiring at Manager's Bungalow at Mim Tea Estate- 1 unit.
4. Job completion date

The work to be completed within 60 days from date of order.
5. Liquidated Damage

In the event of failure on the part of the contractor to complete entire work against the order to our full satisfaction within the specified period of completion, we may recover from the contractor as liquidated damages, a sum equivalent to ½% of contract value for each week or any part thereof default, but limited to a maximum of 5% of contract value. In case of any defect the contractor has to bear the cost of repairs within 1 year from date of handing over of the project.
6. Force Majeure

Any delay or failure in the performance of either party hereto will not constitute default thereunder or give rise to any claim for damages, if any, to the extent such delays or failure of performance is caused by the occurrence such as acts of god or the public enemy, appropriation or confiscation of facilities by Govt. Authorities, acts of war, rebellion or sabotage, fires, explosions, riots and illegal strike.
7. Risk Purchase

In case the contractor fails to execute the contract fully or partly, the purchaser shall have the right to execute the work through other agencies, as decided by the purchaser at the contractor's cost and risk after giving two weeks notice in writing.
8. Terms of payment
 - No advance will be given.
 - Payment will be released after completion of the project with 10% retention, which will be released after 1 year of completion of the project.
 - Statutory deductions will be made as per rules.
9. The tenderers are requested to ensure Earnest Money Deposit along with the Tender in the following manner, which will be converted into Security Deposit for the successful bidder/s and will be released on completion of delivery.

EMD Amount Rs.3000.00_

EMD to be submitted by D.D.favouring Andrew Yule & Co. Ltd. A/C Mim Tea Estate payable at Darjeeling.

10. Price Variation
The quoted price should remain firm during pendency of the contract.
11. Decision for awarding contract/job is vested with the Management so as to reject.
12. Incomplete "Quotation/Offer" is liable to be rejected.
13. The offer must be valid for a minimum of 6 months from the date of E-Bidding.
14. The Quotations must include packing and delivery charges at the Garden and no collection of stores will be made from your go down.
15. Actual need based Order quantity may vary from the indicated quantity at the sole discretion of Garden Management.
16. Replacement of the defective/substandard material/job has to be made good within 30 days.
17. Management reserves the right of pre-delivery inspection.
18. Management reserves the right to split the order wherever found necessary with majority job to be reserved for L1.
19. All the applicable labour laws relating to deployment of labourers/employees will be strictly followed in executing the contract.
20. All disputes are subject to Darjeeling Jurisdiction only.

(Signature of the Applicant)
Office Stamp/Seal.

Place :

Date :

**MIM TEA ESTATE
Andrew Yule and Company Ltd
(A Government of India Enterprise)
P.O.Sukhiapokhri,Dist –Darjeeling
West Bengal ,PIN-734221**

Technical Specifications and requirements

Ref. E-Tender No.: AYCL/TEA DIVISION/36/19-20/ET/260

Ref. Tender No.: MIM/REVENUE/19-20/1

A) Specifications of materials .

SL NO	Name of the items with Specification	Size	Make	Quantity
1	Multi Stand Copper wire (90 mtr)	4 sqmm	Havells or equivalent ISI MARK	22 coil
2	Multi Stand Copper wire (90 mtr)	2.5 sqmm	Havells or equivalent ISI MARK	18 coil
3	Multi Stand Copper wire (90 mtr)	1.5 sqmm	Havells or equivalent ISI MARK	6 coil
4	Multi Stand Copper wire (90 mtr)	1.sqmm	Havells or equivalent ISI MARK	12 coil
5	Multi Stand Copper wire (90 mtr)	0.75 sqmm	Havells or equivalent ISI MARK	10 coil
6	PVC Casing Bit	1"	Ajanta Plus or equivalent ISI Mark	150 pc
7	PVC Gutka	1"	ISI	20 pkt
8	Wooden Screw	1"	ISI	15 pkt
9	Wooden Screw	1 ½"	ISI	10 pkt
10	Modular Switch	6 AMPS	Gold Medal or equivalent ISI Mark	70 pcs
11	Modular Switch	16 AMPS	Gold Medal or equivalent ISI Mark	30 pcs
12	Modular Socket	6 AMPS	Gold Medal or equivalent ISI Mark	12 pcs
13	Celling Rose		Gold Medal or equivalent ISI Mark	15 pcs
14	Angle Holder		Gold Medal or	50 pcs

			equivalent ISI Mark	
15	PVC Square Box	4"x 4"	Ajanta Plus or equivalent ISI Mark	70 pc
16	Modular Socket	16 AMPS	Gold Medalor equivalent ISI Mark	30 pcs
17	BTC Aluminum wire	25 sqmm	Havellsor equivalent ISI Mark	30mtr
18	3 Modular-PVC Box with plate	16 AMPS	Havells/Gold Medalor equivalent ISI Mark	35 pcs
19	3 Modular PVC Box With plate	6AMPS	Havells/Gold Medal or equivalent ISI Mark	12 pcs
20	Copper Earthing wire	No 10	ISI	10 kgs
21	C.I Earthing pipe		ISI	2 pcs
22	Multi Stand Copper wire	6 sqmm	Havells or equivalent ISI Mark	1 coil
23	LED Flood Light	30 watt	Syska or equivalent ISI Mark	4 pcs
24	PVC Flexible Pipe	1"	ISI	10 mtrs
25	M.S. MCB Box	16 ways	Siemensor equivalent ISI Mark	2 pcs
26	MCCB TPN	100 AMPS	Siemens or equivalent ISI Mark	1 pcs
27	S.P MCB	32-40 AMP	Siemens or equivalent ISI Mark	30 pcs
28	Copper Lug	10 sqmm	ISI	60 pcs
29	Copper Lug	25 sqmm	ISI	12 pcs
30	Nylon Cable tie		ISI	6 pkt
31	LED Tube Light	20 watt	Havells or equivalent ISI Mark	15 pcs
32	Insulation Tap		ISI	6 Pcs

	PART B :			
33	Labour charges for dismantling of old wiring and re-fitting of new wirings			

The quantity envisaged has got no relevance with offer price, it is for guidance

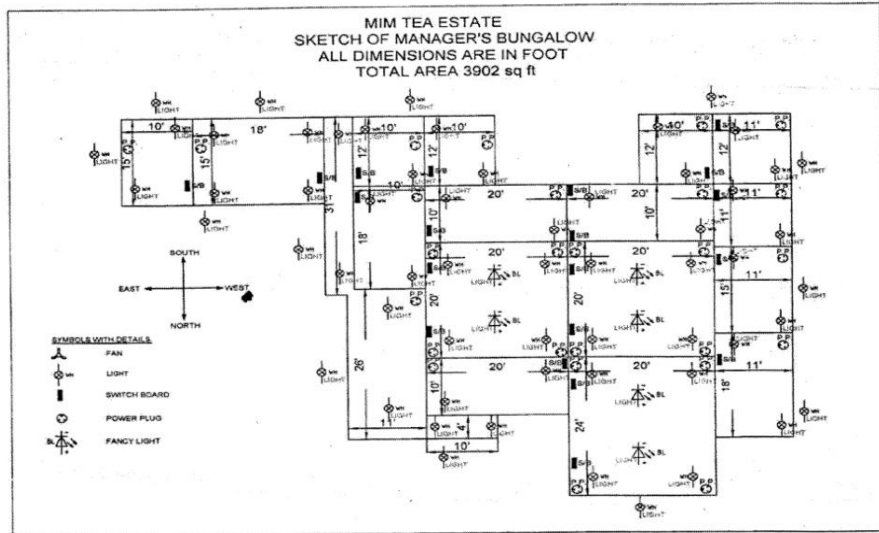
Place :
Date :

(Signature of the Applicant)
with Office Stamp/Seal

**MIM TEA ESTATE
Andrew Yule and Company Ltd**

Ref. E-Tender No.: AYCL/TEA DIVISION/36/19-20/ET/260

Ref. Tender No.: MIM/REVENUE/19-20/1



D. S. BANIK
D. S. BANIK (CE)
S/DA/LBS/B/237
Banarhat, Jalpaiguri

Place :

(Signature of the Applicant)
Office Stamp/Seal.

Date :

For online submission

Annexure-V

MIM TEA ESTATE
Andrew Yule and Company Ltd
(A Government of India Enterprise)
P.O.Sukhiapokhri,Dist –Darjeeling
West Bengal ,PIN-734221

Price Sheet for installation of new wiring.

Ref. E-Tender No.: AYCL/TEA DIVISION/36/19-20/ET/260

Ref. Tender No.: MIM/REVENUE/19-20/1

Garden : Mim Tea Estate, Sukhiapokhri, Darjeeling, West Bengal

Item : Dismantling of old wiring and re-installation of new wiring.

Quantity Offered	Unit	Dismantling of old wiring and re-installation of new wiring on Trunkey basis as per Technical Specification & Drawing. Detailed in Annexure IV	Applicable Taxes	UnitSite Cost	Contract Price
1 nos.		Rs.	Rs.	Rs.	Rs.